

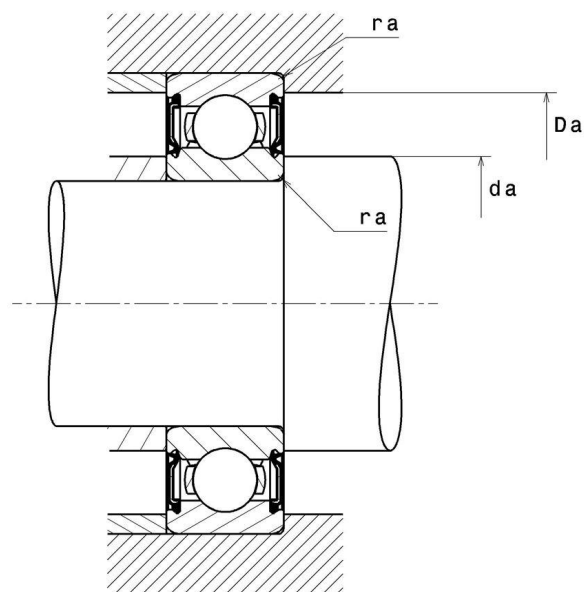
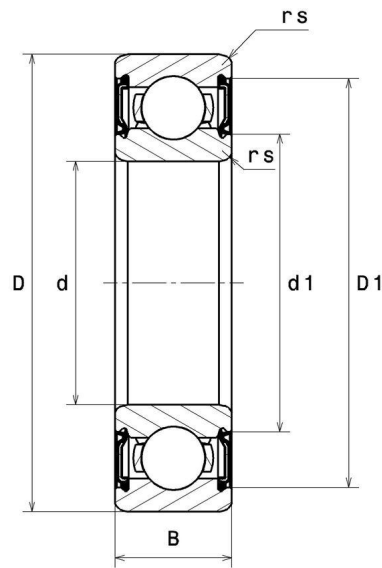
Technical data

6308.EEC3

Single row deep groove ball bearings

Deep groove ball bearing, radial contact, pressed steel cage, contact seals on both sides

VISUAL (S)



6308.EEC3

Single row deep groove ball bearings

PRODUCT DIMENSIONS

Internal diameter d	40 mm
External diameter D	90 mm
Bearing/Inner ring width(B)	23 mm
External diameter inner ring d1	54,7 mm
Inner diameter outer ring D1	77,1 mm
Min fillet radius rs	1,5 mm
Radial clearance class	C3
Mass	0,64 kg
Brand	SNR

PRODUCT PERFORMANCE

Dynamic load, C	40,4 kN
Static load, C0	24,1 kN
Fatigue limit load, Cu	1,1 kN
Coefficient f0	13.2
Mechanical Limit Speed Nlim	5200 tr/min
Min operating temperature, Tmin	-30 °C
Max operating temperature, Tmax	120 °C
Characteristic cage frequency, FTF	0.385 Hz
Characteristic rolling element frequency, BSF	4.113 Hz
Characteristic outer ring frequency, BPF0	3.079 Hz
Characteristic inner ring frequency, BPFI	4.921 Hz

ABUTMENT

Min shoulder diameter IR da min	48 mm
Max shoulder diameter IR da max	32,1 mm
Max shoulder diameter OR Da max	82 mm
Max shaft & housing fillet radius ra max	1,5 mm

INDUSTRY CALCUL FACTORS

Equivalent dynamic radial load

$P = X.F_r + Y.F_a$

$\frac{f_0 F_a}{C_0}$	e	Fa / Fr ≤ e		Fa / Fr > e	
		X	Y	X	Y
0.172	0.19	1	0	0.56	2.3
0.345	0.22				1.99
0.689	0.26				1.71
1.03	0.28				1.55
1.38	0.3				1.45
2.07	0.34				1.31
3.45	0.38				1.15
5.17	0.42				1.04
6.89	0.44				1

Equivalent static radial load

$P_0 = X_0.F_r + Y_0.F_a$

X_0	Y_0
0.6	0.5

For single or DT bearing arrangement:

If $P_0 < F_r$, then use $P_0 = F_r$