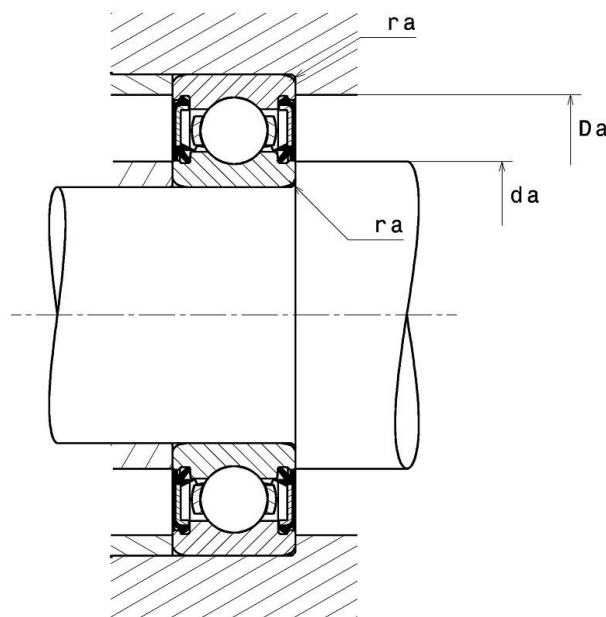
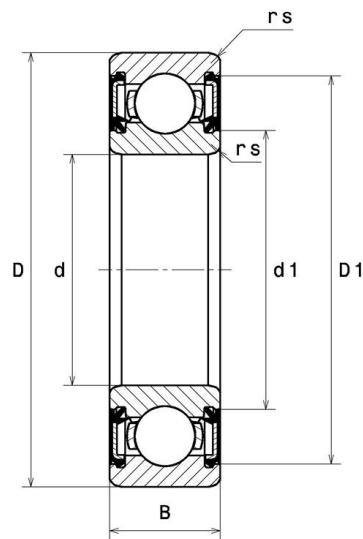


Technical data

6206EEC3

Single row deep groove ball bearings

VISUAL (S)



6206EEC3

Single row deep groove ball bearings

PRODUCT DIMENSIONS

Internal diameter d	30 mm
External diameter D	62 mm
Bearing/Inner ring width(B)	16 mm
External diameter inner ring d1	38,8 mm
Inner diameter outer ring D1	54,4 mm
Min fillet radius rs	1 mm
Radial clearance class	C3
Mass	0,202 kg
Brand	SNR

PRODUCT PERFORMANCE

Dynamic load, C	19,2 kN
Static load, C0	11,3 kN
Fatigue limit load, Cu	0,51 kN
Coefficient f0	13.8
Mechanical Limit Speed Nlim	7500 tr/min
Min operating temperature, Tmin	-30 °C
Max operating temperature, Tmax	120 °C
Characteristic cage frequency, FTF	0.398 Hz
Characteristic rolling element frequency, BSF	4.677 Hz
Characteristic outer ring frequency, BPF0	3.578 Hz
Characteristic inner ring frequency, BPFI	5.422 Hz

ABUTMENT

Min shoulder diameter IR da min	35 mm
Max shoulder diameter IR da max	37,9 mm
Max shoulder diameter OR Da max	57 mm
Max shaft & housing fillet radius ra max	1 mm

INDUSTRY CALCUL FACTORS

Equivalent dynamic radial load

$$P = X.F_r + Y.F_a$$

$\frac{f_0 F_a}{C_0}$	e	Fa / Fr ≤ e		Fa / Fr > e	
		X	Y	X	Y
0.172	0.19	1	0	0.56	2.3
0.345	0.22				1.99
0.689	0.26				1.71
1.03	0.28				1.55
1.38	0.3				1.45
2.07	0.34				1.31
3.45	0.38				1.15
5.17	0.42				1.04
6.89	0.44				1

Equivalent static radial load

$$P_0 = X_0.F_r + Y_0.F_a$$

X_0	Y_0
0.6	0.5

For single or DT bearing arrangement:

If $P_0 < F_r$, then use $P_0 = F_r$