



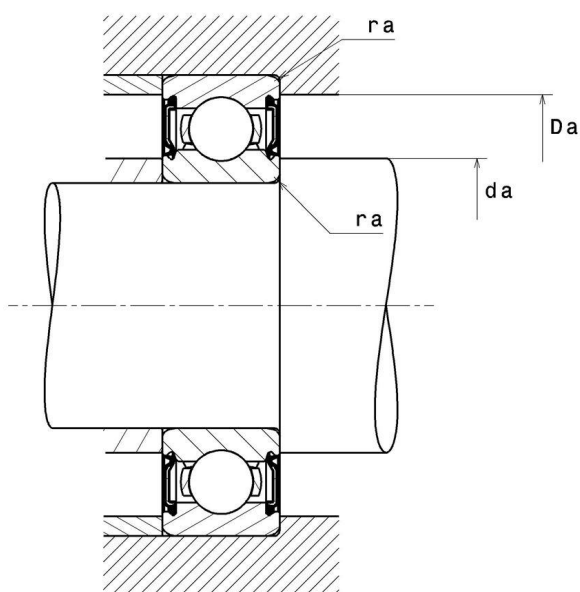
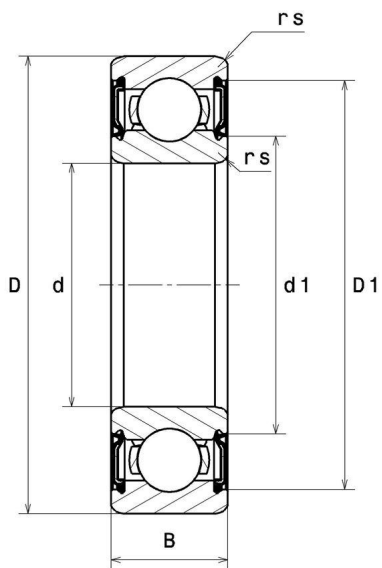
Technical data

6210LLUC3/5K

Single row deep groove ball bearings

Deep groove ball bearing, radial contact, pressed steel cage, contact seals on both sides

VISUAL (S)



6210LLUC3/5K

Single row deep groove ball bearings

PRODUCT DIMENSIONS

Internal diameter d	50 mm
External diameter D	90 mm
Bearing/Inner ring width(B)	20 mm
Min fillet radius rs	1,1 mm
Radial clearance class	C3
Mass	0,454 kg
Brand	NTN

PRODUCT PERFORMANCE

Dynamic load, C	39 kN
Static load, C0	23,2 kN
Fatigue limit load, Cu	1,82 kN
Coefficient f0	14.4
Nlim (grease)	4700 tr/min
Min operating temperature, Tmin	-25 °C
Max operating temperature, Tmax	110 °C
Characteristic cage frequency, FTF	0.409 Hz
Characteristic rolling element frequency, BSF	5.33 Hz
Characteristic outer ring frequency, BPF0	4.093 Hz
Characteristic inner ring frequency, BPF1	5.907 Hz

ABUTMENT

Min shoulder diameter IR da min	56,5 mm
Max shoulder diameter IR da max	60 mm
Max shoulder diameter OR Da max	83,5 mm
Max shaft & housing fillet radius ra max	1 mm

INDUSTRY CALCUL FACTORS

Equivalent dynamic radial load

$$P = X.F_r + Y.F_a$$

$\frac{f_0 F_a}{C_0}$	e	Fa / Fr ≤ e		Fa / Fr > e	
		X	Y	X	Y
0.172	0.19	1	0	0.56	2.3
0.345	0.22				1.99
0.689	0.26				1.71
1.03	0.28				1.55
1.38	0.3				1.45
2.07	0.34				1.31
3.45	0.38				1.15
5.17	0.42				1.04
6.89	0.44				1

Equivalent static radial load

$$P_0 = X_0.F_r + Y_0.F_a$$

X_0	Y_0
0.6	0.5

For single or DT bearing arrangement:

If $P_0 < F_r$, then use $P_0 = F_r$